



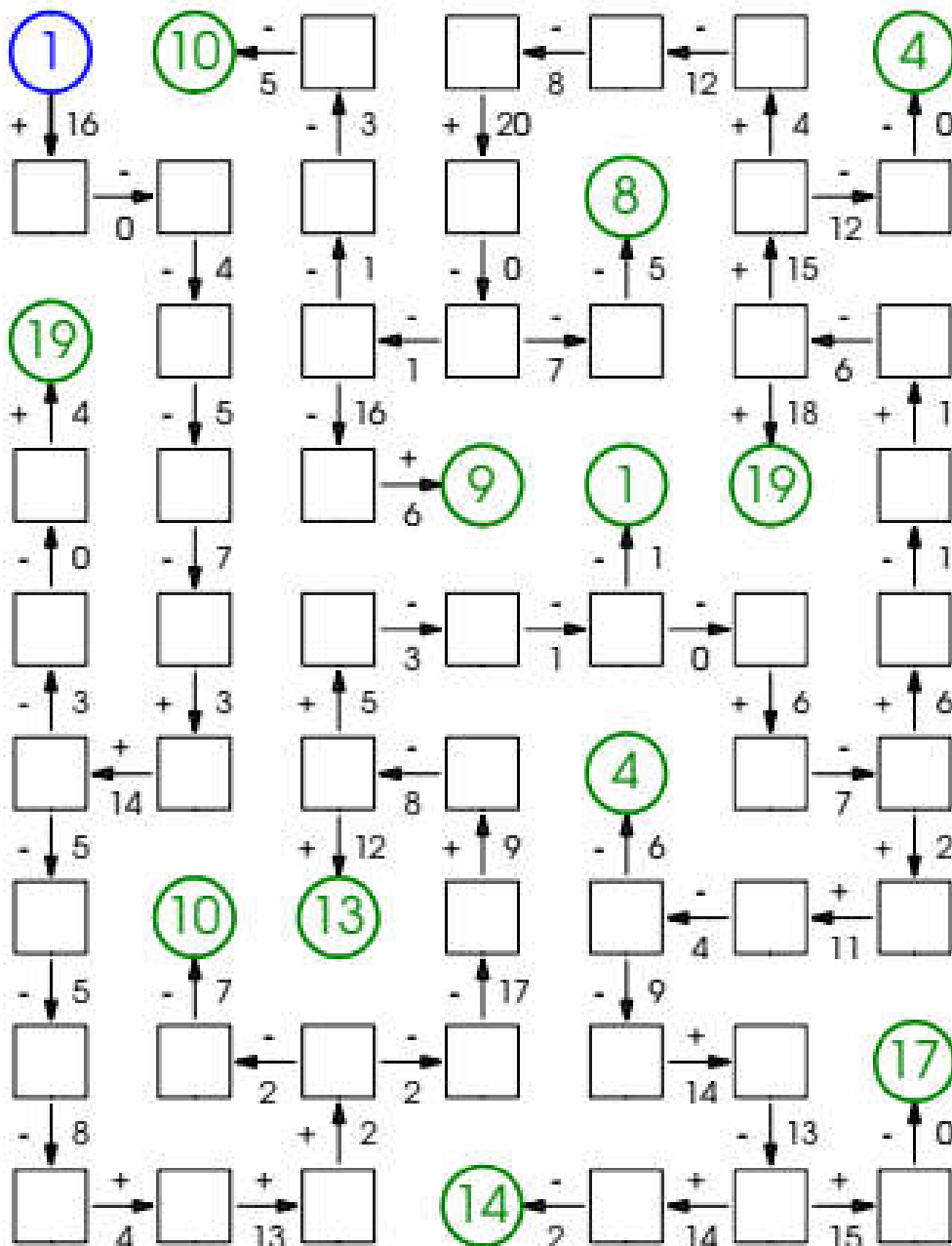
מבוכי חשבון

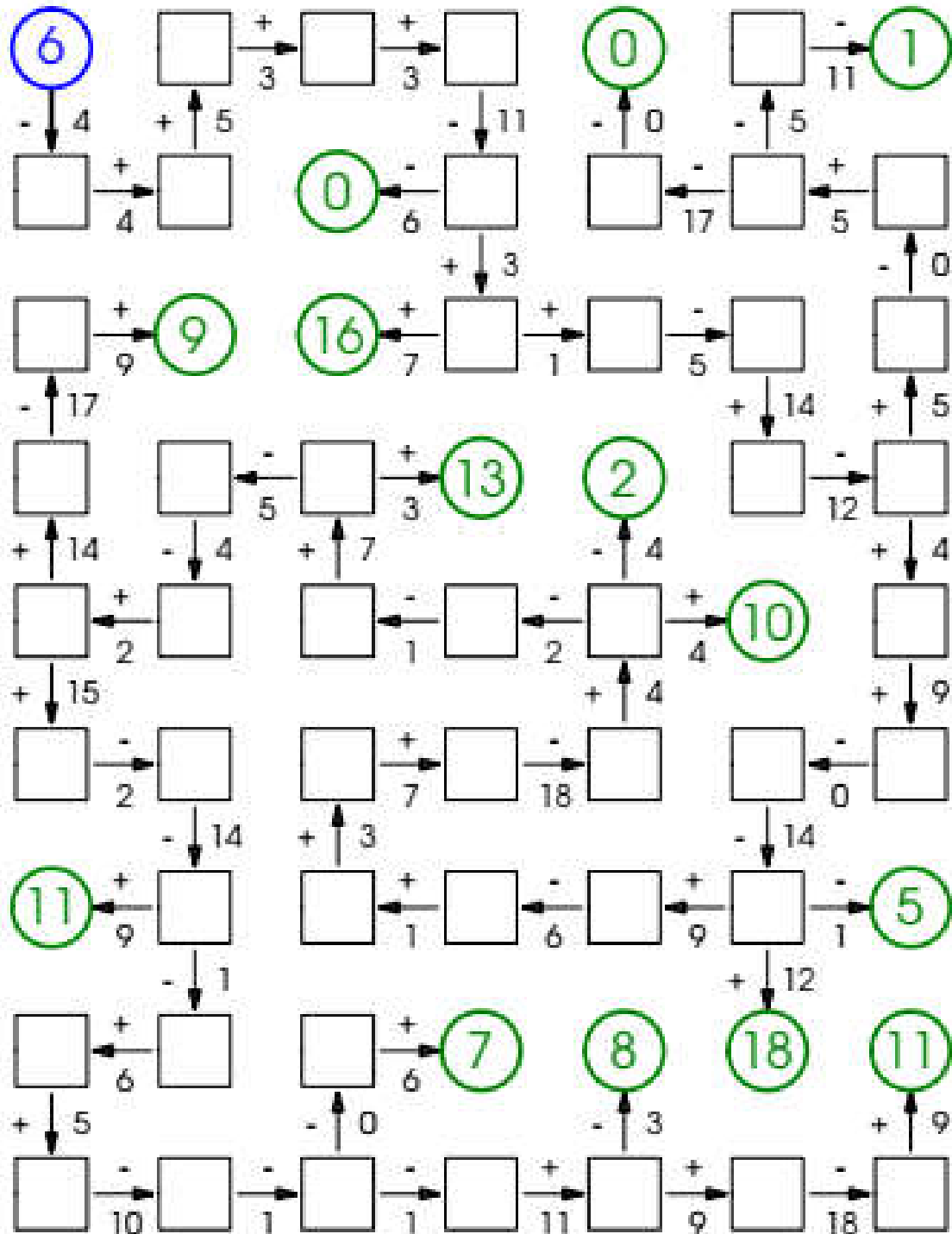
הענין פשוט. תפתרו את מבוכי התרגילים במבוך החשבון ותגיעו למטבעות השונות שיתן לכם משוב מידי אם אתם צודקים.

בהצלחה!

ניתן לקבל חוברות נוספות ומאתגרות בשליחת בקשה לאימייל

A0533180118@gmail.com







A grid of 10 rows and 5 columns of math puzzles. Each puzzle consists of a central square with arrows pointing to other squares, each labeled with a number. Some squares contain numbers in circles, representing the starting or ending values of the puzzles.

7	14	$\square \xrightarrow{+1} \square$	$\square \xrightarrow{-5} \square$	$\square \xrightarrow{+9} \square$	$\square \xrightarrow{+2} \mathbf{14}$
$\square \xrightarrow{+11} \square$	$\square \xrightarrow{+7} \square$	$\square \xrightarrow{-7} \square$	$\square \xrightarrow{-8} \square$	$\square \xrightarrow{+3} \square$	$\square \xrightarrow{-0} \square$
5	$\square \xrightarrow{-11} \square$	$\square \xrightarrow{+7} \square$	$\square \xrightarrow{-2} \square$	$\square \xrightarrow{-8} \square$	$\square \xrightarrow{+9} \square$
$\square \xrightarrow{-4} \square$	$\square \xrightarrow{+10} \square$	11	$\square \xrightarrow{+2} \square$	8	10
$\square \xrightarrow{+5} \square$	$\square \xrightarrow{-1} \square$	$\square \xrightarrow{-6} \square$	$\square \xrightarrow{-5} \square$	$\square \xrightarrow{-2} \square$	$\square \xrightarrow{-9} \square$
$\square \xrightarrow{+3} \square$	$\square \xrightarrow{-1} \square$	$\square \xrightarrow{-1} \square$	$\square \xrightarrow{-3} \square$	$\square \xrightarrow{-5} \square$	$\square \xrightarrow{+12} \square$
$\square \xrightarrow{-3} \square$	17	$\square \xrightarrow{-1} \square$	$\square \xrightarrow{+3} \square$	$\square \xrightarrow{+18} \square$	12
$\square \xrightarrow{+7} \square$	$\square \xrightarrow{+2} \square$	$\square \xrightarrow{-0} \square$	$\square \xrightarrow{+2} \square$	$\square \xrightarrow{-18} \square$	$\square \xrightarrow{-0} \square$
$\square \xrightarrow{-4} \square$	$\square \xrightarrow{-2} \square$	$\square \xrightarrow{-5} \square$	$\square \xrightarrow{-5} \square$	$\square \xrightarrow{+15} \square$	$\square \xrightarrow{-9} \square$
$\square \xrightarrow{+11} \square$	$\square \xrightarrow{-2} \square$	$\square \xrightarrow{-15} \square$	$\square \xrightarrow{-4} \square$	$\square \xrightarrow{-4} \square$	$\square \xrightarrow{-9} \square$
$\square \xrightarrow{+9} \square$	$\square \xrightarrow{+1} \square$	$\square \xrightarrow{+4} \square$	$\square \xrightarrow{-9} \square$	$\square \xrightarrow{+4} \square$	$\square \xrightarrow{-0} \square$
$\square \xrightarrow{-0} \mathbf{20}$	19	$\square \xrightarrow{-1} \square$	$\square \xrightarrow{+11} \square$	$\square \xrightarrow{+5} \square$	18



A grid of 10 rows and 7 columns of math problems. Each problem consists of a sequence of boxes connected by arrows with numbers indicating the operation. Some boxes contain numbers in colored circles (blue or green).

Row 1: $19 \xrightarrow{-12} \square \xrightarrow{+4} \square \xrightarrow{-5} \square \xrightarrow{+10} \square \xrightarrow{+3} 14 \xrightarrow{-9} \square \xrightarrow{-3} \square \xrightarrow{-7} \square \xrightarrow{+5} 20 \xrightarrow{+10} \square \xrightarrow{-5} \square \xrightarrow{+5} \square$

Row 2: $\square \xrightarrow{-8} \square \xrightarrow{+2} \square \xrightarrow{+16} \square \xrightarrow{+2} \square \xrightarrow{+1} 19 \xrightarrow{+1} 6$

Row 3: $6 \xrightarrow{-3} \square \xrightarrow{-4} \square \xrightarrow{+12} \square \xrightarrow{+2} 15 \xrightarrow{-5} \square \xrightarrow{+1} \square \xrightarrow{+3} \square \xrightarrow{+1} \square$

Row 4: $19 \xrightarrow{+6} \square \xrightarrow{-6} \square \xrightarrow{+1} \square \xrightarrow{+6} 20 \xrightarrow{+6} \square \xrightarrow{+1} \square \xrightarrow{-2} \square \xrightarrow{-11} \square \xrightarrow{+12} \square \xrightarrow{+1} \square$

Row 5: $20 \xrightarrow{+4} 19 \xrightarrow{-12} \square \xrightarrow{-18} 1 \xrightarrow{+3} 7 \xrightarrow{-6} \square \xrightarrow{-3} \square \xrightarrow{+1} \square$

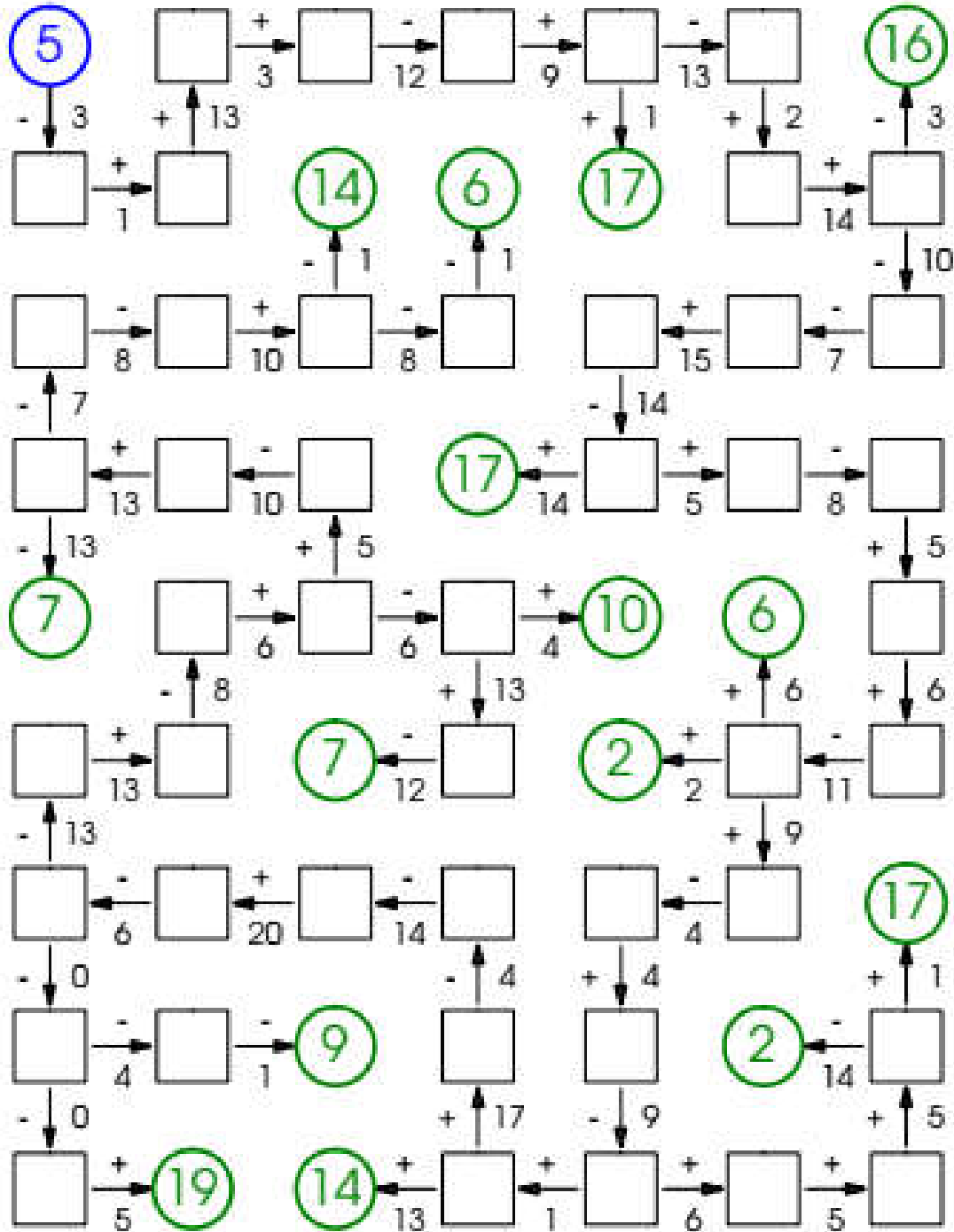
Row 6: $\square \xrightarrow{+13} \square \xrightarrow{+10} \square \xrightarrow{+7} \square \xrightarrow{-4} \square \xrightarrow{+3} 7 \xrightarrow{+1} \square \xrightarrow{-1} \square \xrightarrow{+1} \square$

Row 7: $\square \xrightarrow{+1} \square \xrightarrow{+7} \square \xrightarrow{-1} \square \xrightarrow{+1} \square \xrightarrow{+1} \square \xrightarrow{+1} \square$

Row 8: $\square \xrightarrow{+10} \square \xrightarrow{-20} \square \xrightarrow{+2} \square \xrightarrow{+11} \square \xrightarrow{-1} \square \xrightarrow{-6} \square \xrightarrow{+2} \square \xrightarrow{+1} \square \xrightarrow{+1} \square$

Row 9: $\square \xrightarrow{+4} \square \xrightarrow{+3} \square \xrightarrow{+8} \square \xrightarrow{-8} \square \xrightarrow{+1} \square \xrightarrow{+7} \square \xrightarrow{+5} 6$







A grid of 10 rows and 5 columns of math puzzles. Each puzzle consists of a sequence of boxes connected by arrows with numbers. Some boxes contain numbers in colored circles (blue or green).

Row 1: (15) in blue circle, (13) in green circle, $\square \xrightarrow{-4} \square \xrightarrow{+12} \square \xrightarrow{-14} \square \xrightarrow{-9} \square \xrightarrow{-4} (6)$ in green circle.

Row 2: $\square \xrightarrow{+4} \square \xrightarrow{+1} \square \xrightarrow{-8} \square \xrightarrow{+4} \square \xrightarrow{+14} (19)$ in green circle, $\square \xrightarrow{+8} \square \xrightarrow{+5} \square \xrightarrow{+2} \square \xrightarrow{-0} (15)$ in green circle.

Row 3: (18) in green circle, (5) in green circle, $\square \xrightarrow{+2} \square \xrightarrow{+1} \square \xrightarrow{-15} \square \xrightarrow{+11} \square \xrightarrow{-11} \square$.

Row 4: $\square \xrightarrow{+9} \square \xrightarrow{+3} \square \xrightarrow{+7} \square \xrightarrow{+9} (14)$ in green circle, $\square \xrightarrow{-5} \square \xrightarrow{+14} \square \xrightarrow{-11} \square$.

Row 5: $\square \xrightarrow{-1} \square \xrightarrow{+8} \square \xrightarrow{+3} \square \xrightarrow{+7} \square \xrightarrow{-7} \square \xrightarrow{-3} \square \xrightarrow{+5} (17)$ in green circle, $\square \xrightarrow{+10} \square$.

Row 6: $\square \xrightarrow{+4} \square \xrightarrow{-8} \square \xrightarrow{+6} (18)$ in green circle, $\square \xrightarrow{+1} \square \xrightarrow{+1} \square \xrightarrow{-12} \square \xrightarrow{-3} \square \xrightarrow{-1} \square \xrightarrow{-1} \square$.

Row 7: $\square \xrightarrow{-1} \square \xrightarrow{+4} \square \xrightarrow{+2} \square \xrightarrow{-2} \square \xrightarrow{-3} \square \xrightarrow{+17} \square \xrightarrow{-10} \square \xrightarrow{-1} \square$.

Row 8: $\square \xrightarrow{-12} \square \xrightarrow{+6} \square \xrightarrow{-0} \square \xrightarrow{-7} \square \xrightarrow{-10} \square \xrightarrow{-3} \square \xrightarrow{-9} (1)$ in green circle, $\square \xrightarrow{+9} \square \xrightarrow{+2} \square \xrightarrow{-2} \square \xrightarrow{+11} \square \xrightarrow{-3} \square \xrightarrow{-9} (1)$ in green circle.

Row 9: (12) in green circle, $\square \xrightarrow{-8} \square \xrightarrow{+10} \square \xrightarrow{+16} \square \xrightarrow{-11} \square \xrightarrow{+5} \square$.



